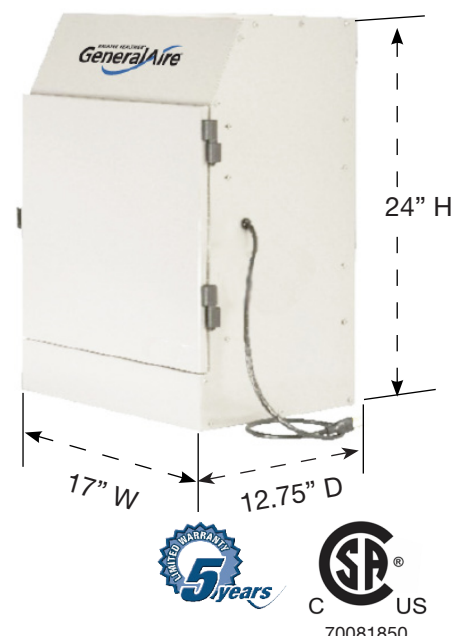


Spec Sheet

Installs Quickly & Easily

GENERALAIRE® HEPA AIR CLEANERS				
Model	GF-200D (Duct Mount)	GF-400D (Duct Mount)	GF-200R (Room- Portable)	GF-400R (Room- Portable)
Weight (Pounds)	30.5	35	30.5	35
Dimensions (Inches)	24 H x 12.75 D x 17 W			
Rated Air Flow (CFM)	200	400	200	400
System Capacity **	up to 2200 Sq. Ft.	up to 4200 Sq. Ft.	up to 2200 Sq. Ft.	up to 4200 Sq. Ft.
Min. Avg % Eff. 0.3-3.0 Microns	HEPA 99.97%			
Operation	Air Flow From Furnace Through Air Cleaner		Room / Portable	
Replacement Filters	1. HEPA - Replace Every 2 Years / 2. Pre-Filter With Carbon - Replace Every 3- 6 Months			
Power Consumption (Watts)	120	300	120	300
Amperage	115V / 1 / 60Hz; 1.30 Amp	115V / 1 / 60Hz; 2.75 Amp	115V / 1 / 60Hz; 1.30 Amp	115V / 1 / 60Hz; 2.75 Amp
Certification	cCSA _{US}			
Collar / Intake / Exhaust Openings (Inches)	Collar: 8 (203 mm) Intake: 3.75 (95 mm) x 14.375 (365mm) Exhaust: 3.75 (95 mm) x 14.375 (365mm)			
Pallet Quantity	18			
Mounting	Return Air Duct		Room / Portable	
Warranty (Years)	5			
In the Box	HEPA Air Cleaner, 9' Power Cord, Installation Manual, Duct Collars, Pre-Filter, HEPA Filter, 3 Mounting Brackets, Screws, Mounting Template		HEPA Air Cleaner, 9' Power Cord, Installation Manual, Pre-Filter, HEPA Filter, Screws, Caster Wheels	
** CFM calculation: ACH X Volume (Cubic Feet L x W x H) /60=CFM Square Footage calculations based on average of 0.70ACH				



**Side Duct Brackets Add 1" on
Either Side of HEPA Unit;
Requiring a Minimum Duct
Width of 20" for Installation**

Features:

- PSC Motor
- Sound-Reducing Insulation
- Easy-Open Door for Fast Filter Replacement
- Polypropylene Caster Wheels (Room Models)
- Variable Speed Motor Control
- Duct Collars (Duct Mount Models)
- HEPA Filter GF-4645
- Pre-Filter With Carbon GF-4646

Accessories:

- Replacement Filters
 - HEPA Filter GF-4645
 - Pre-Filter With Carbon GF-4646

Spec Sheet

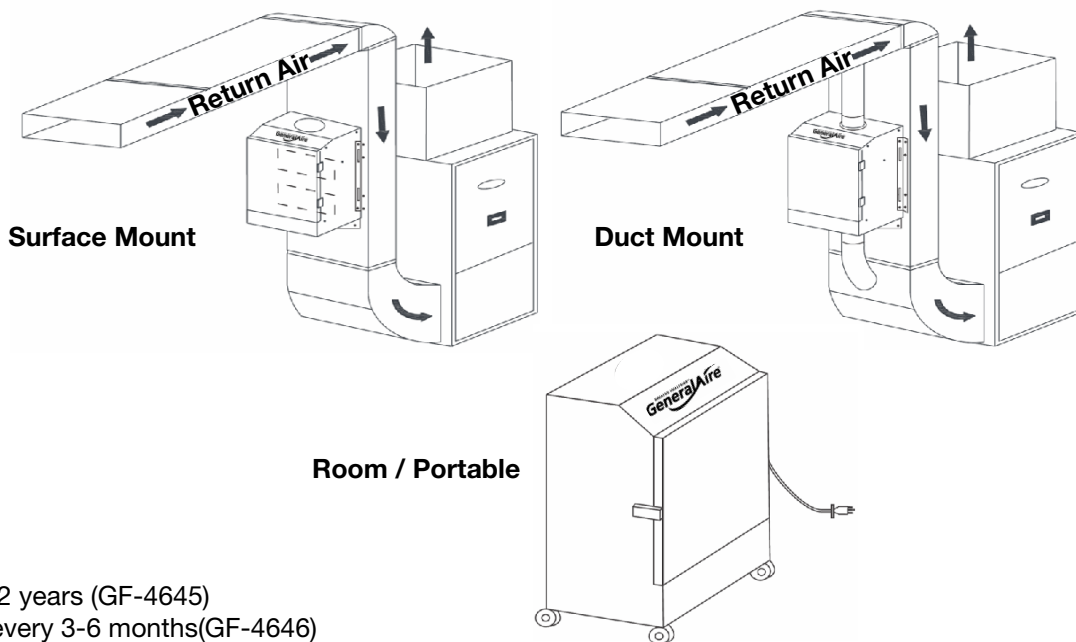
Typical Installations

D Model:

- Surface Mount or Duct Mount
- Vertical plenum on return air
- Forced air furnace

R Model:

- Portable; on wheels
- Place in any room



Maintenance

- Change the HEPA filter once every 2 years (GF-4645)
- Change the Pre-Filter with carbon every 3-6 months(GF-4646)

Product Support

- Installation Manual
- Home Owner Brochure
- www.GeneralaireIAQ.ca
- Tech Support (888) 216-9184

Sound Data

Tested at a 5' distance

2.5 Sones
at Operating Speed

Performance Data

Free Standing Room Units

External Static Pressure		Net Supply Air Flow (CFM)	
Pa	In. W. C.	200 (Duct & Room)	400 (Duct & Room)
25	0.1	197	376
50	0.2	178	368
75	0.3	164	353
100	0.4	157	345
125	0.5	138	337
150	0.6	120	329
175	0.7	108	322
200	0.8	92	314
225	0.9	79	306
250	1.0	63	297

1. Pleated Pre-Filter With Carbon (GF-4646)
2. HEPA Filter (GF-4645)
3. Child Safety Switch
4. PSC Motor
5. Variable Speed Motor Control Knob (Not Shown)
6. Door Latch
7. Casters (Room Model; Illustration Shown Above)



Our Brands



Last Updated: 02-2021



**Canadian General Filters
Limited**

400 Midwest Rd.
Toronto, ON M1P 3A9
(888) 216-9184

www.GeneralaireIAQ.ca