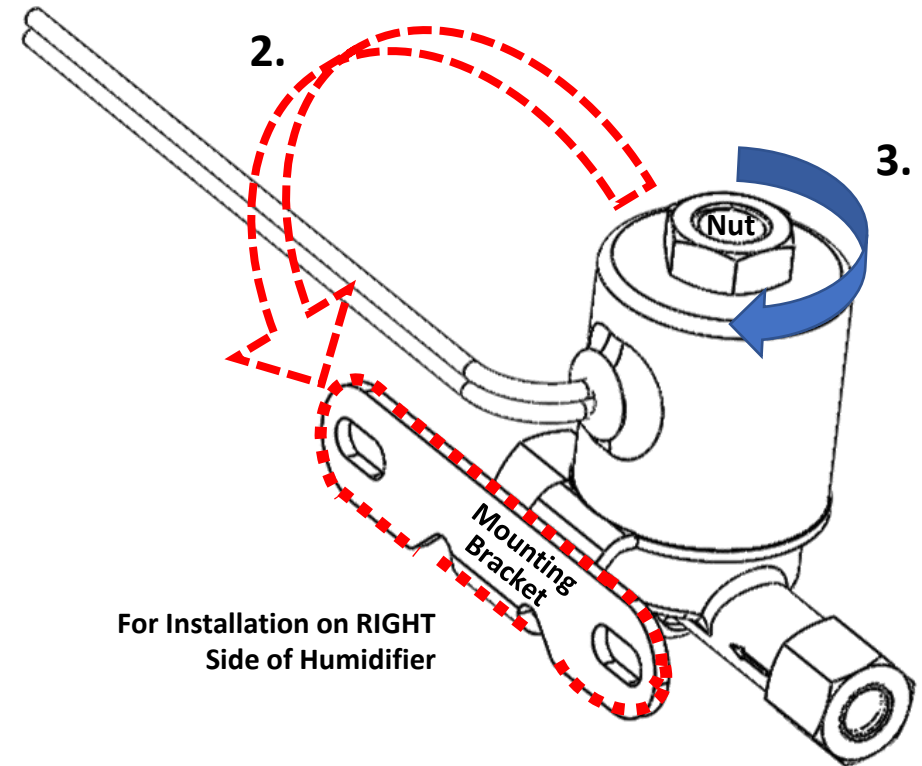
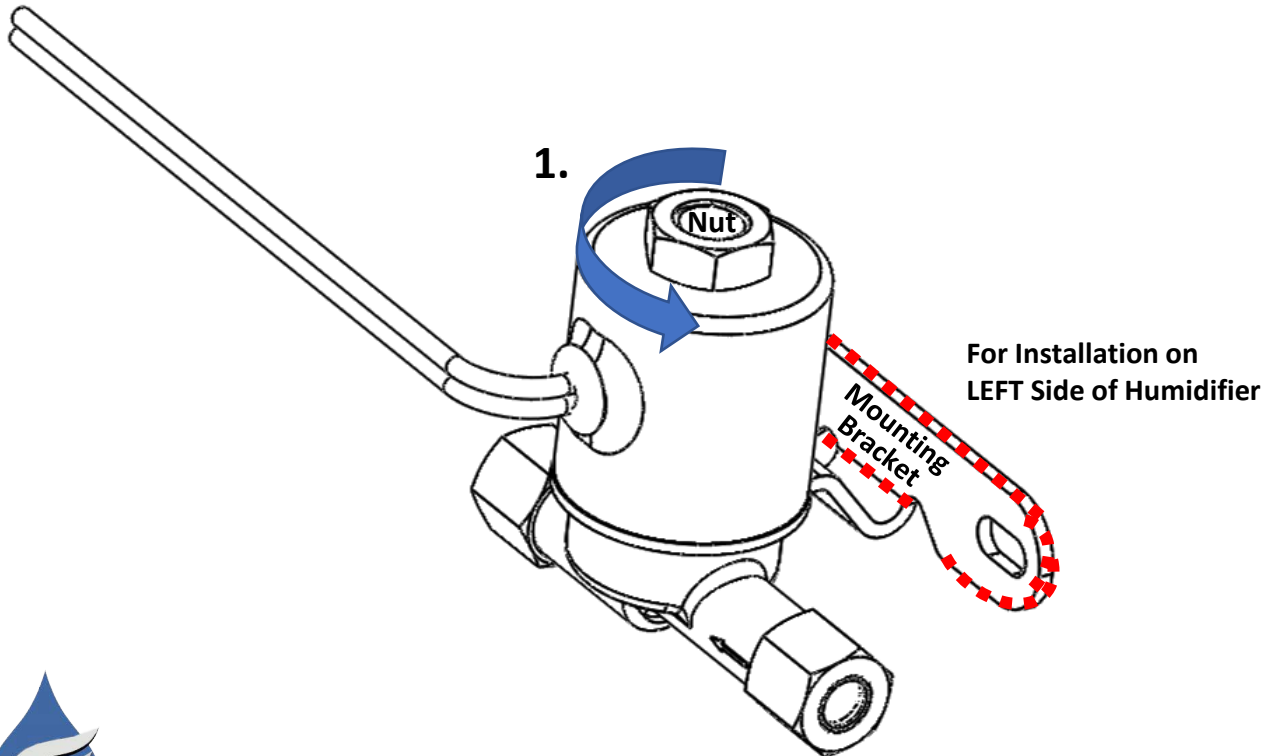


Preparing The Solenoid Valve Mounting Bracket For Left To Right Side Installation On GF-3200 / GF-4200 Humidifiers

1. Loosen nut on top of solenoid
DO NOT REMOVE

2. Rotate mounting bracket 180° as shown

3. Re-tighten nut



Canadian General Filters
Limited