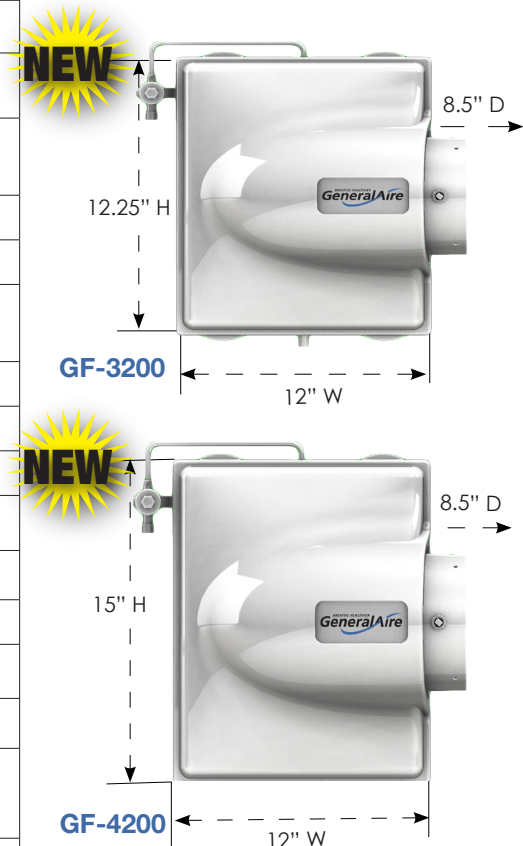


Spec Sheet

Installs Quickly & Easily



Evaporative Models	GF3200DMM	GF4200DMM
Type	Evaporative Humidifier	
Home Size (Sq. Ft.)	Up To 3,200	Up To 4,200
GPD (Based on 120° Plenum Temperature)	Up To 12	Up To 17
Dimensions (Inches; HxWxD)	12.25 x 12 x 8.5	15 x 12 x 8.5
Weight (Pounds)	7	8
Replacement Vapor Pad® (Replace Once Per Season)	GFGA10	GFGA35
Installation	Warm Air / Return Air Plenum / Right or Left Side	
Plenum Opening (Inches)	9.125 x 9.125	9.125 W x 12 H
Bypass Opening (Inches)	6	
Pallet Quantity	36	30
Cabinet Construction	UV-Stable Automotive Grade Plastic	
Humidistat	GFX4 Digital Humidistat	
Voltage (Volts)	24	
Warranty (Years)	5	
Typical Installation	For Newer homes up to 3,200 square feet and homes with a forced-air heating system.	For Newer homes up to 4,200 square feet and homes with a forced-air heating system.
In The Box	Humidifier, Humidistat, Control Bypass Damper, 24V Transformer, Solenoid Valve, Vapor Pad®, DPDS00325 Quick Connect Tee valve w/Shut Off, Installation Manual, Template, Parts.	



Accessory



GFX4 Digital Humidistat



Spec Sheet

Models GF-3200 & GF-4200

Features

- Model GF-3200 accomodates up to 3200 square feet. Model GF-4200 accomodates up to 4200 square feet.
- Newly designed, low profile cover ensures heated air goes directly through the Vapor Pad® at its warmest point.
- Newly designed distributor trough ensures even water saturation over the entire Vapor Pad® for maximum humidity output.
- Redesigned Vapor Pad® frame profile is thinner; exposing more of the saturated Vapor Pad® for maximum humidity output.
- Easy snap-in-place UV stable cover allows for quick access to Vapor Pad®.
- Models include ¼" OD, PEX water supply tubing (hi-temp and hi-pressure) for hot or cold water installs. Eliminating the need for use of copper piping
- Left or right bypass installation options.
- Left or right solenoid valve installation options.
- GF-MHX3 manual control or GFX4 digital automatic humidistat is included.

Installation

Vertical plenum surface of any forced air furnace

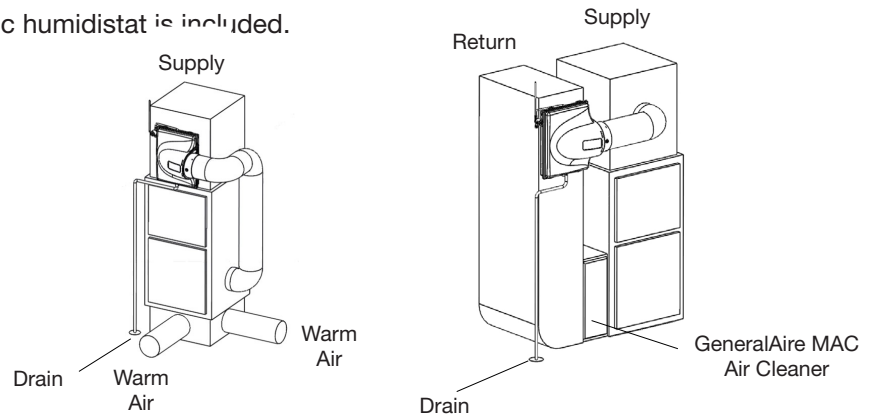
Installs Quickly & Easily

Maintenance

Change the Vapor Pad® at least once per year.

Product Support

- Installation Manual
- Home Owner Brochure
- Competitive Comparison
- www.GeneralAireIAQ.ca
- Tech Support (888) 216-9184



For Model GF-3200



For Model GF-4200